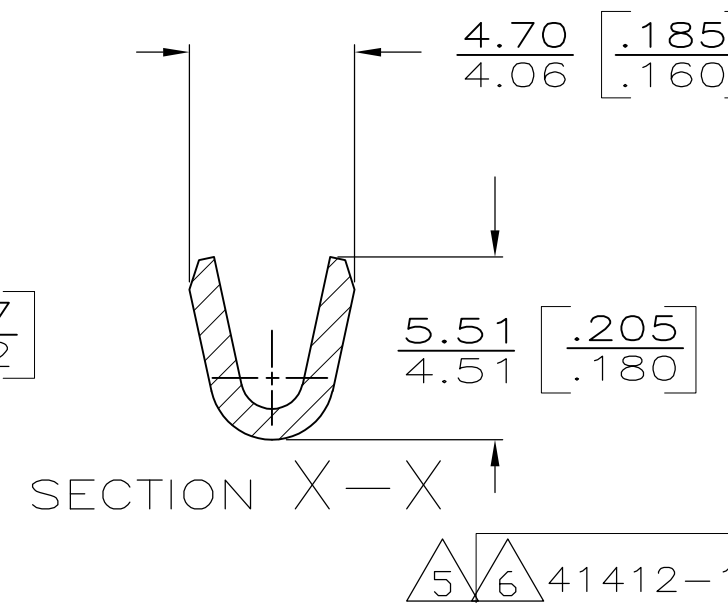
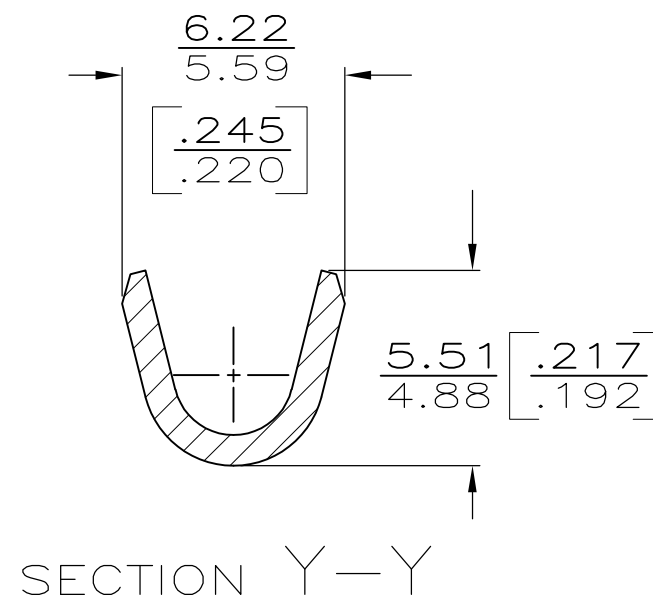
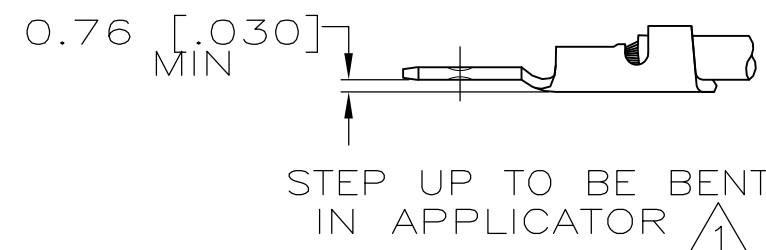
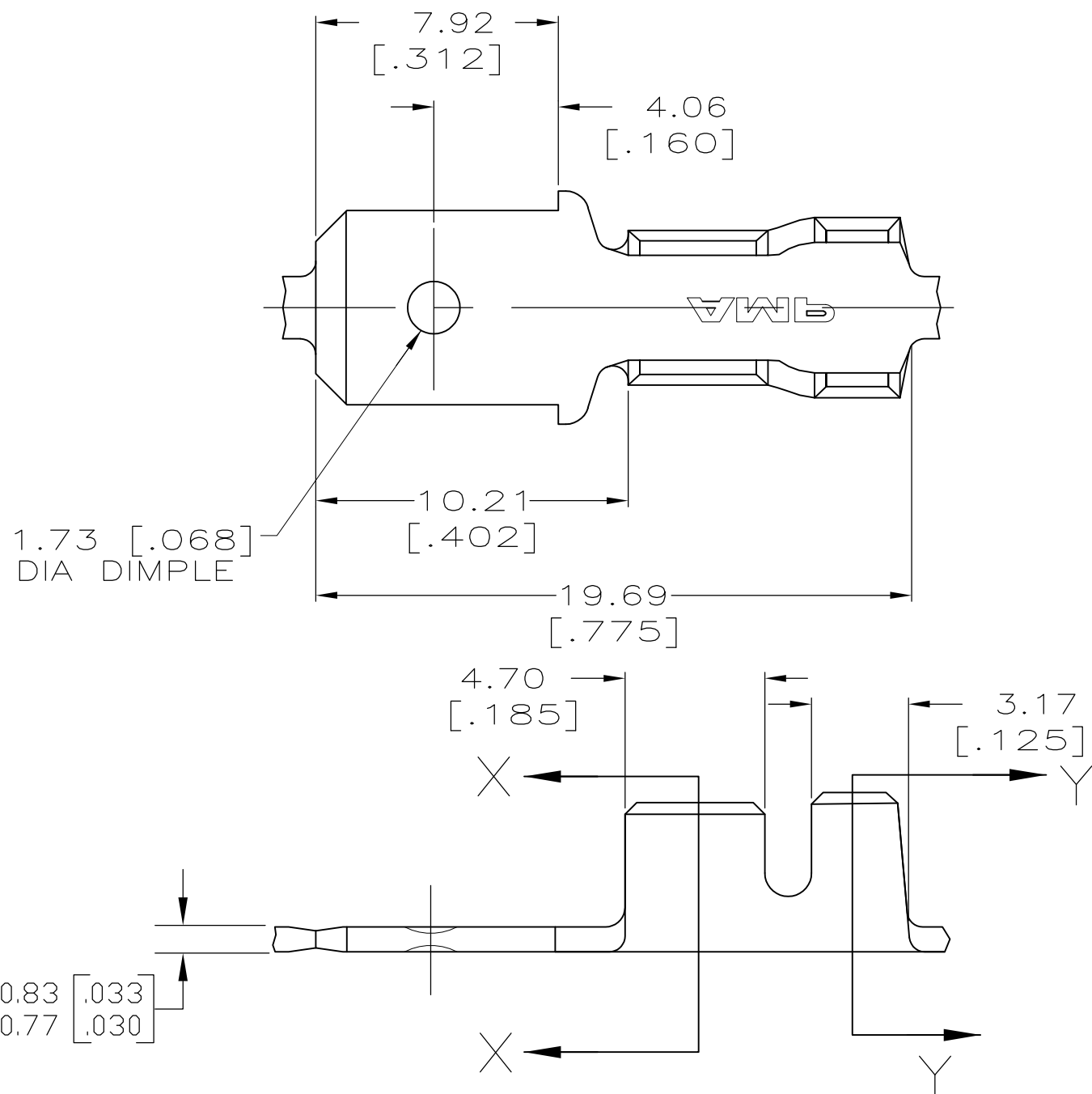


THIS DRAWING IS UNPUBLISHED. RELEASED FOR PUBLICATION
 © COPYRIGHT BY TYCO ELECTRONICS CORPORATION. ALL RIGHTS RESERVED.

LOC	DIST	REVISIONS			
P	LTR	DESCRIPTION	DATE	DWN	APVD
AF	50	N1	REV PER ECR 07-012109	24MAY07	JR JK

- 1 SUFFIX LETTER MUST BE USED ONLY WHEN ORDERING APPLICATOR TOOLING FOR STEPPED UP VERSION.
- 2 CONTINUOUS STRIP ON REELS.
- 3 WIRE SIZE IS 0.8-2.0MM2 [18-14] AWG
- 4 INSULATION RANGE IS 3.05-4.32 [.120-.170] DIA
- 5 REELED WITH PAPER INTERLEAVING.
- 6 PRELIMINARY - NOT FOR PRODUCTION



41412 B	41412
TERMINAL NUMBER STEPPED UP 1	PART NO.

THIS DRAWING IS A CONTROLLED DOCUMENT.		DWN	JR RUTH	2/5/92	Tyco Electronics Corporation Harrisburg, PA 17105-3608		
DIMENSIONS: INCHES		CHK	MS FEHER	2/5/92			
TOLERANCES UNLESS OTHERWISE SPECIFIED:		APVD	D REINER	2/5/92	NAME		
0 PLC ± - 1 PLC ± - 2 PLC ± - 3 PLC ± 0.38 [.015] 4 PLC ± - ANGLES ± -		PRODUCT SPEC		TAB, FASTON, 6.35 [.250] SERIES			
MATERIAL		APPLICATION SPEC		SIZE			RESTRICTED TO
O82 BRASS		FINISH		WEIGHT		CAGE CODE	RESTRICTED TO
		TIN		-		DRAWING NO	RESTRICTED TO
				CUSTOMER DRAWING		SCALE	RESTRICTED TO
				A300779		5:1	RESTRICTED TO
				C-41412		SHEET	RESTRICTED TO
				-		1 OF 1	RESTRICTED TO
				-		REV	RESTRICTED TO
				N1			RESTRICTED TO